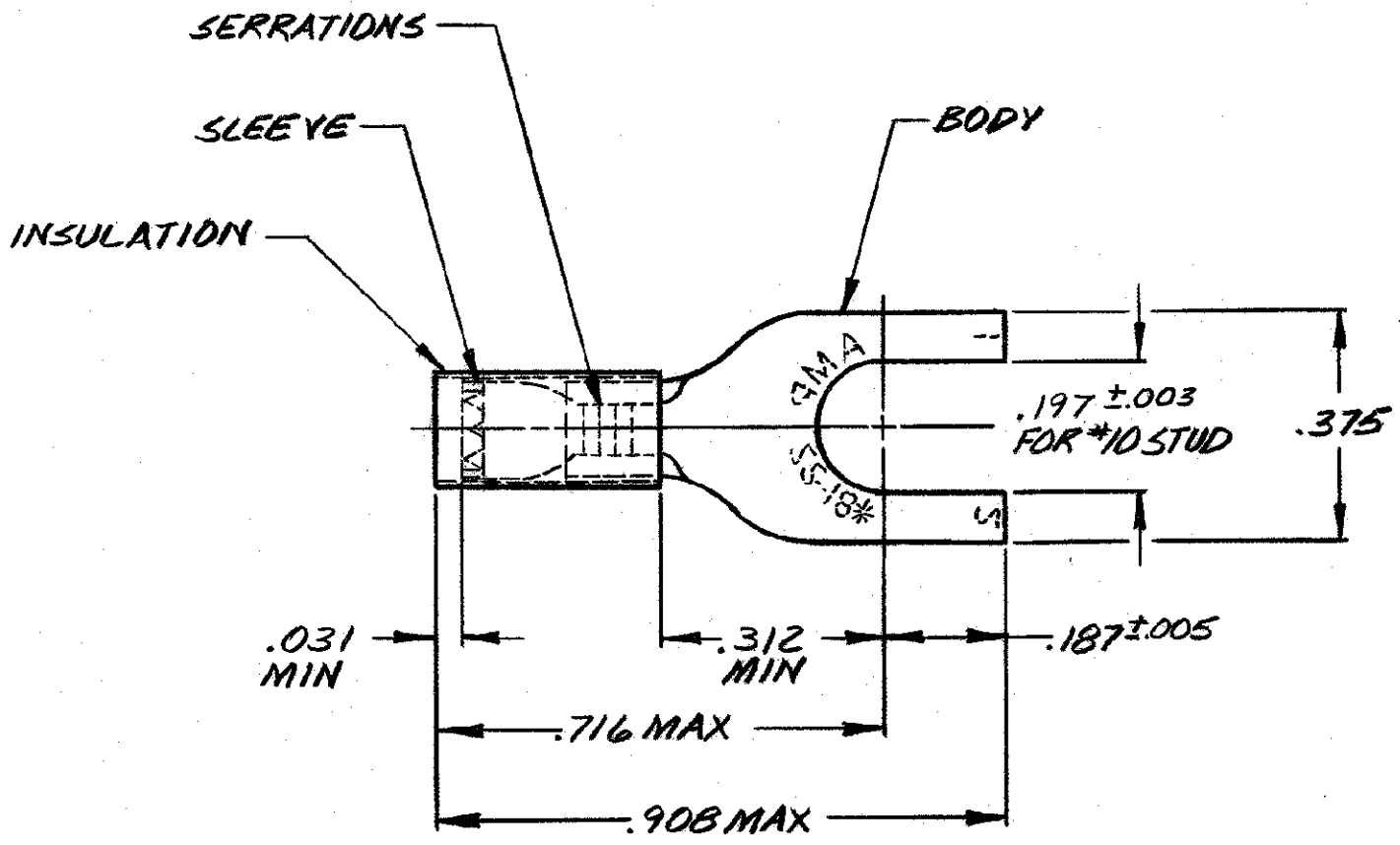


THIS DRAWING IS UNPUBLISHED. RELEASED FOR PUBLICATION, 19

© COPYRIGHT 19 BY AMP INCORPORATED, HARRISBURG, PA. ALL INTERNATIONAL RIGHTS RESERVED. AMP PRODUCTS MAY BE COVERED BY U.S. AND FOREIGN PATENTS AND/OR PATENTS PENDING.

REVISIONS					
P/F	ZONE	LTR	DESCRIPTION	DATE	APPROVED
✓		D	RED'WN & ADD -1 PDS-0953	7/1/85	MP/BJM
✓		E	OBSOLETE -1 PER G-2393	3/22/87	GS
✓		F	REV G-5131	6/89	MP/BJM
		G	REV/0720-0032-93	LO 2/93	ME
		H	REV/0610-0094-98	2-3-99	ME/JT
		J	REV PER 063A-0274-01	24/Jan/01	DR/TM



QTY	PACKAGE TYPE	PART NO.
—	LOOSE PIECE	32054
<del>1,000</del>	<del>ON TAPE, LG BOX</del>	<del>32054</del>
5,000	ON TAPE, REEL	2-32054-1
100	LOOSE PC BOX	8-32054-1
50	LOOSE PC, BAG	8-32054-5

OBSOLETE

1. TONGUE MATERIAL THK = .031±.002 FOR .105 TO .140 WIRE INSULATION DIA.
  2. MARKING 22-18 FOR MILITARY COMMERCIAL RANGE 22-16
- △ SUPERSEDED BY 8-32054-1

OBSOLETE =

	8-32054-5
	8-32054-1
BODY: COPPER (ASTM B152) TIN PL (ASTM B545)	2-32054-1
SLEEVE: COPPER (ASTM B152) TIN PL (ASTM B545)	<del>32054-1</del>
INSULATION: NYLON COLOR: RED	32054
MATERIAL & FINISH	PART NO

UNLESS OTHERWISE SPECIFIED DIMENSIONS ARE IN INCHES. TOLERANCES ON: DECIMALS ±.008 ANGLES ±	CONTRACT NO	AMP INCORPORATED Harrisburg, Pa.	
	DR P. Fortney 7/31/85		
MATERIAL SEE TABLE	CHK P. Muth 8-1-85	NAME NYLON PIDG™ SPADE TONGUE 22-16	
	APPD P. Muth 8-1-85	SIZE B	FSCM NO 00779
FINISH SEE TABLE	DSGN APPD	DRAWING NO 32054	
	OTHER APPD	SCALE NTS	SHEET —